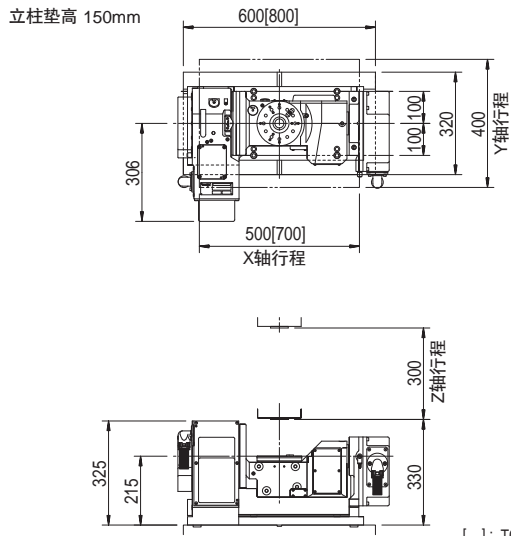


TC-S2C, TC-S2C-O

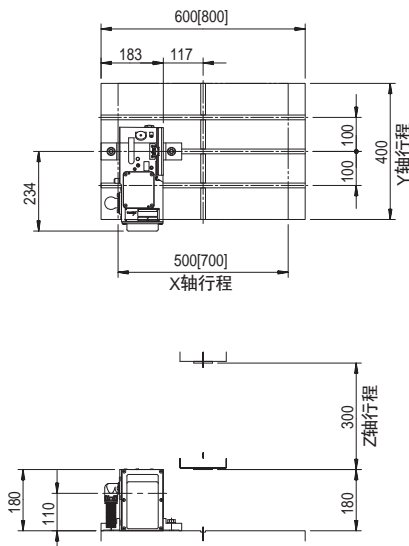
TRB(H)140L-BTC8



[]: TC-S2D-O

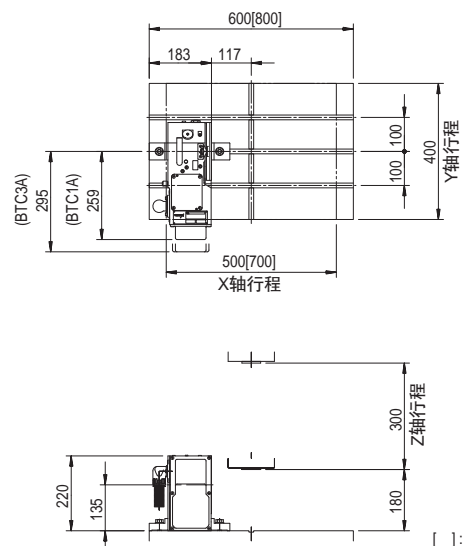
TC-S2D, TC-S2D-O, TC-S2D-S, TC-S2DN, TC-S2DN-O, TC-S2DN-S

JNC140L-BTC1A



[]: TC-S2D-O

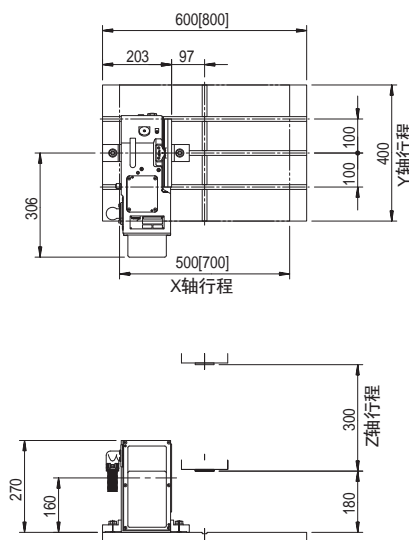
**JNC170L-BTC1A
JNC(H)170L-BTC3A**



[]: TC-S2D-O

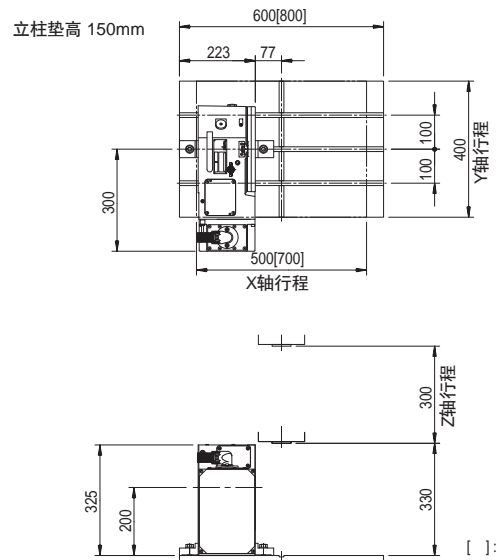
TC-S2D, TC-S2D-O, TC-S2D-S, TC-S2DN, TC-S2DN-O, TC-S2DN-S

JNC(H)200L-BTC3A



[]: TC-S2D-O

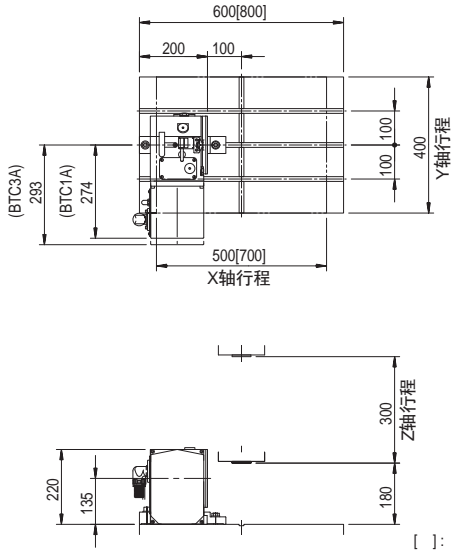
JNC250L-BTC3A



[]: TC-S2D-O

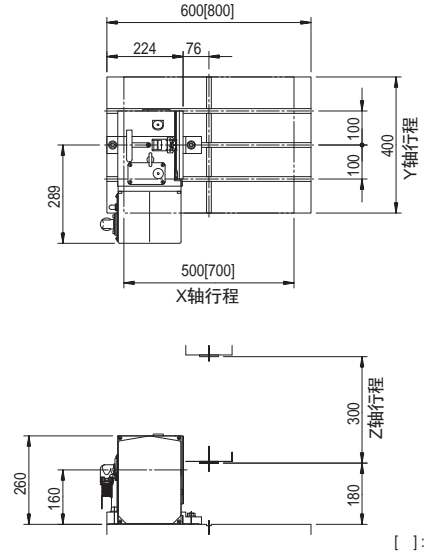
TC-S2D, TC-S2D-O, TC-S2D-S, TC-S2DN, TC-S2DN-O, TC-S2DN-S

YNC(P)170L-BTC1A/3A



[]: TC-S2D-O

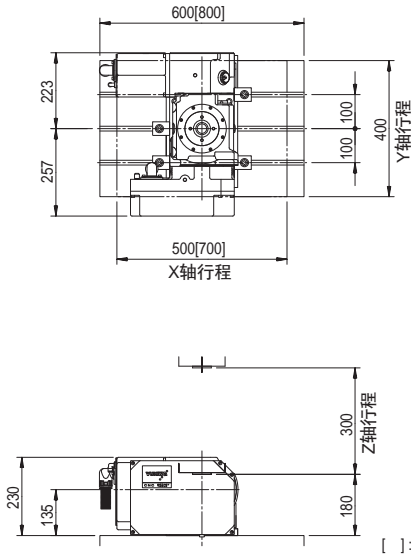
YNC(P)200L-BTC3A



[]: TC-S2D-O

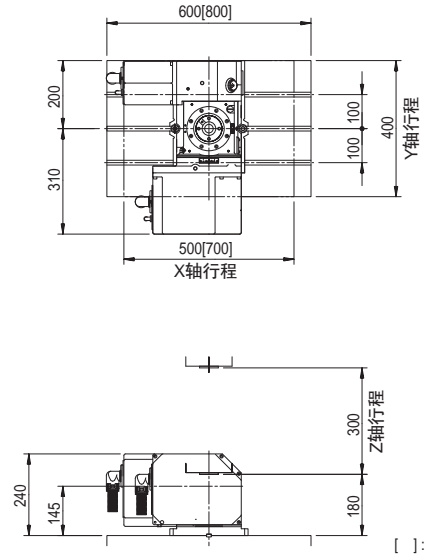
TC-S2D, TC-S2D-O, TC-S2D-S, TC-S2DN, TC-S2DN-O, TC-S2DN-S

TNT100L-BTC1A



[]: TC-S2D-O

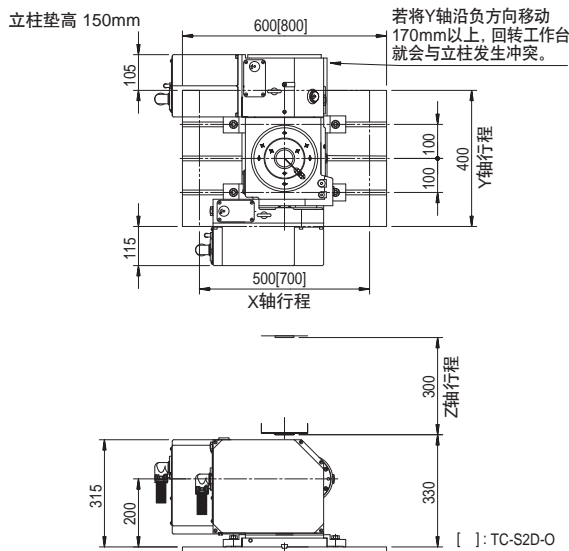
TNT130L-BTC1A



[]: TC-S2D-O

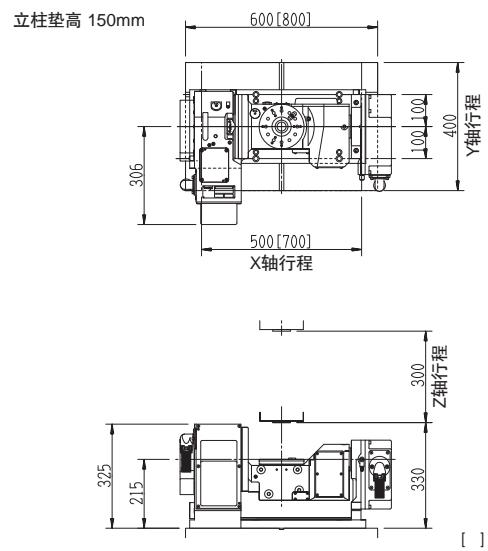
TC-S2D, TC-S2D-O, TC-S2DN, TC-S2DN-O

TNT180L-BTC3A



[]: TC-S2D-O

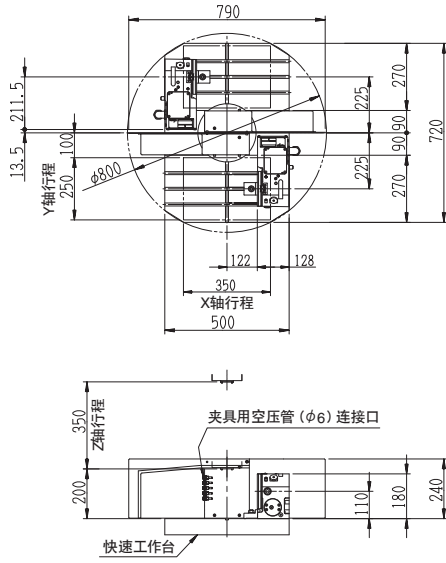
TRB(H)140L-BTC1A



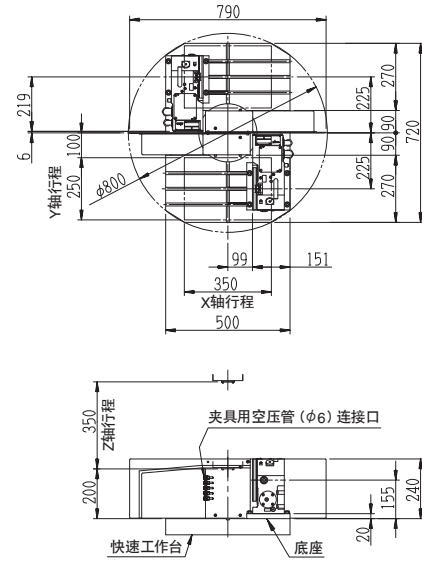
[]: TC-S2D-O

TC-31A, TC-31AN

JNC(H)140L-BQT3

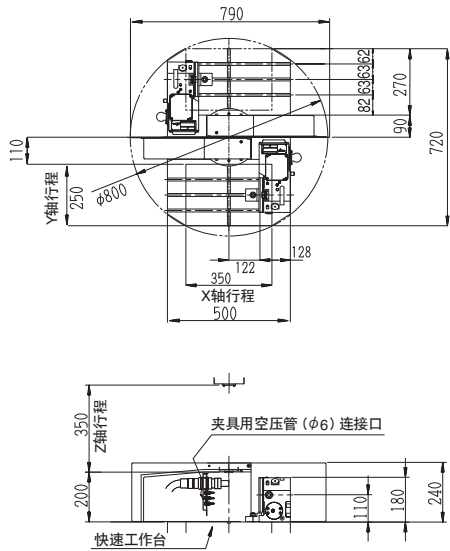


JNC170L-BQT3

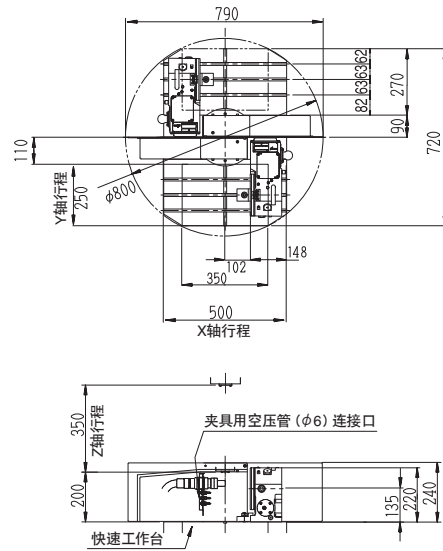


TC-31B

JNC(H)140L-BQT8

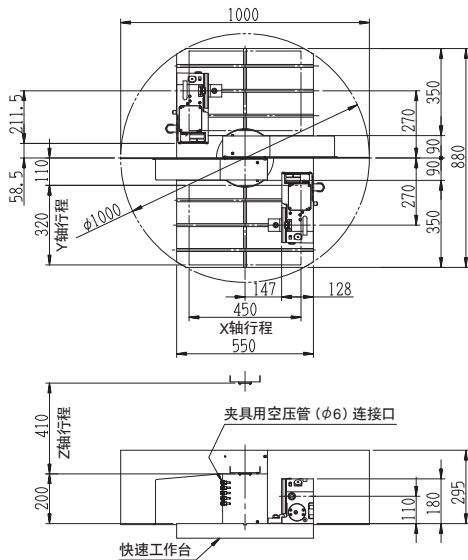


JNC170L-BQT8

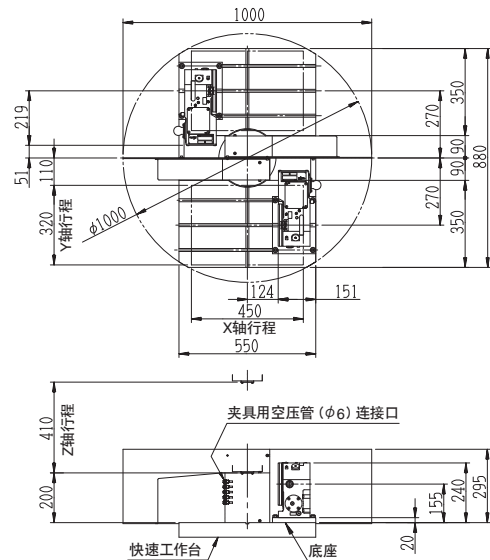


TC-32A

JNC140L-BQT4

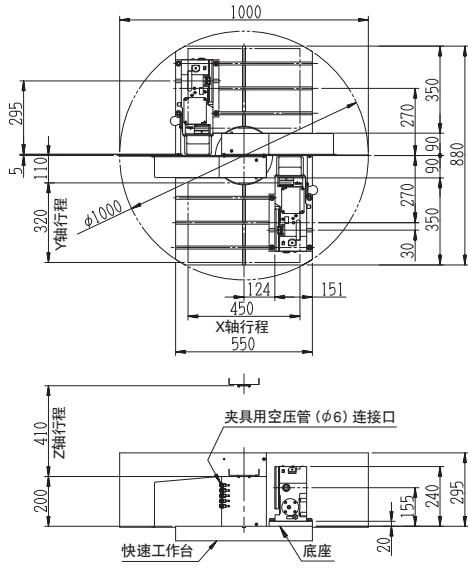


JNC170L-BQT4

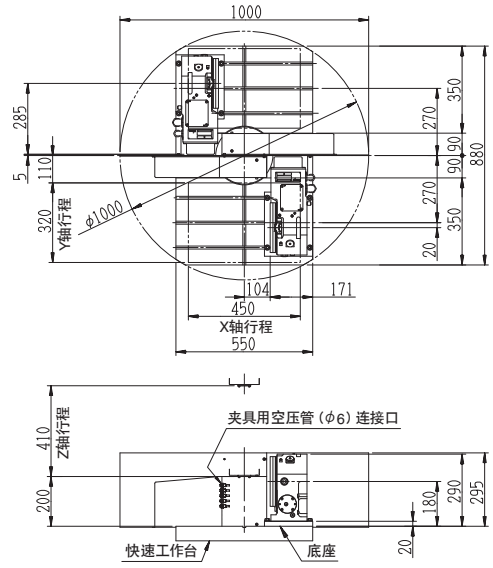


TC-32A

JNC(H)170L-BQT34

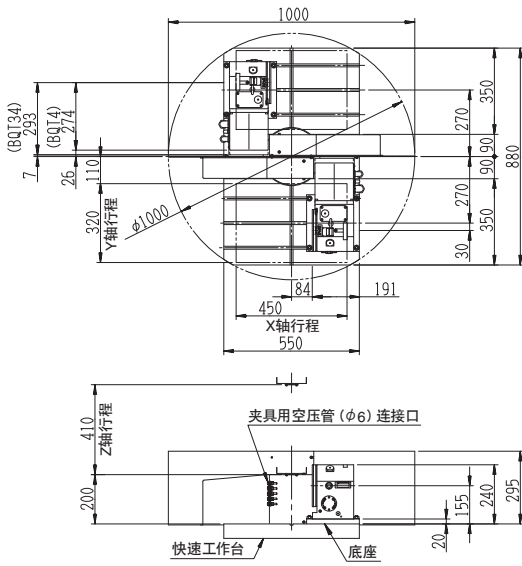


JNC(H)200L-BQT34

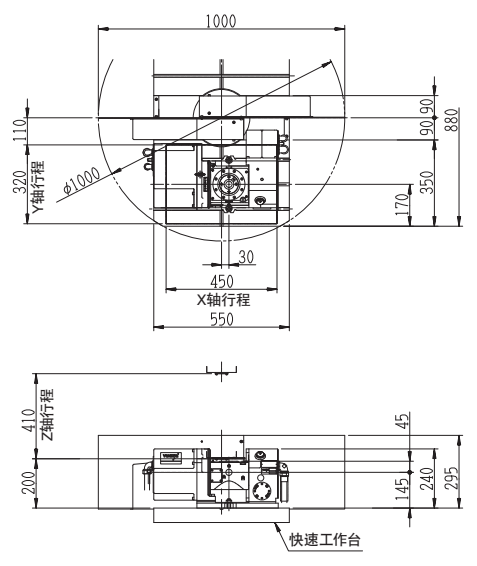


TC-32A

YNC(P)170L-BQT4/34

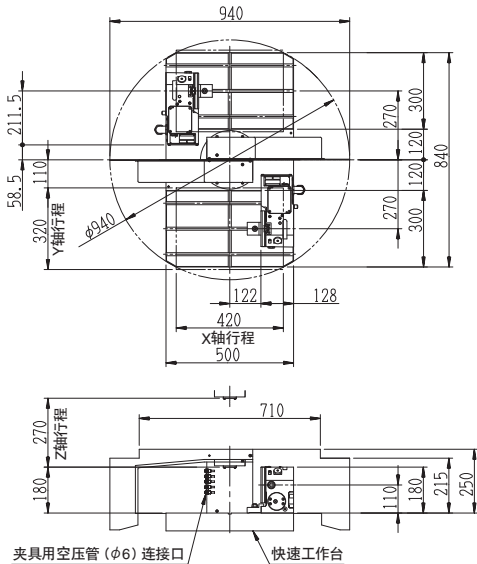


TNT130L-BQT4-1

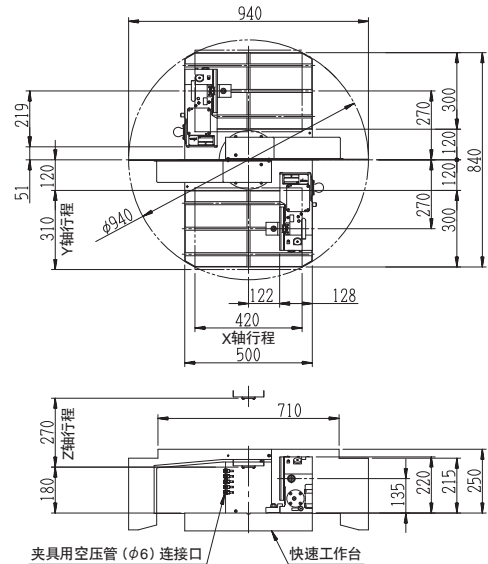


TC-R2A

JNC(H)140L-BQT5

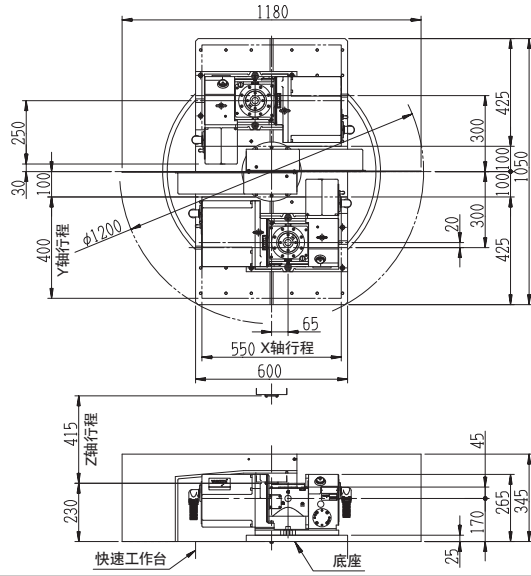


JNC170L-BQT5

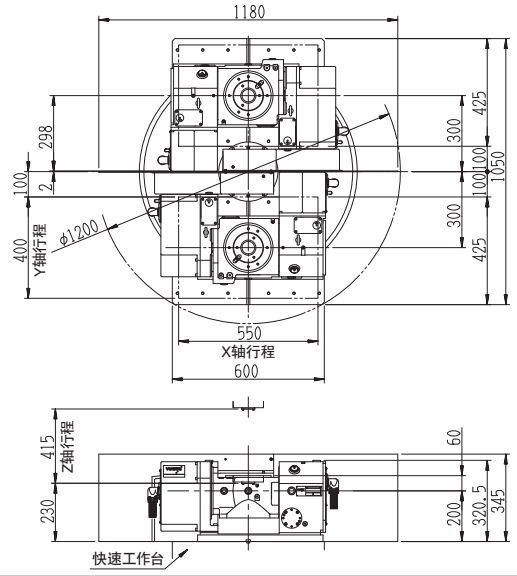


TC-32B QT, TC-32BN QT

TNT130L-BQT6/9

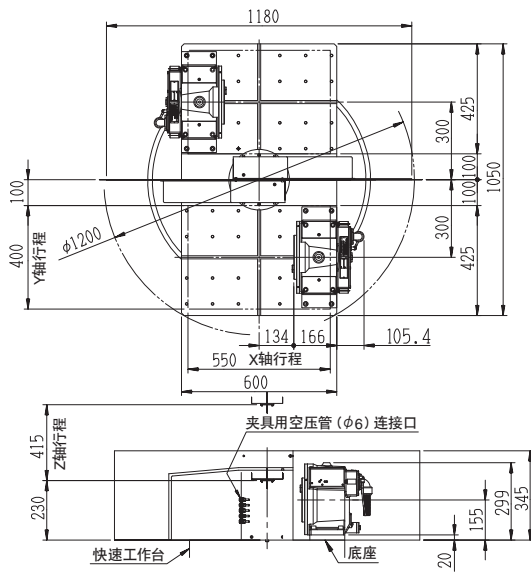


TNT180L-BQT36/39



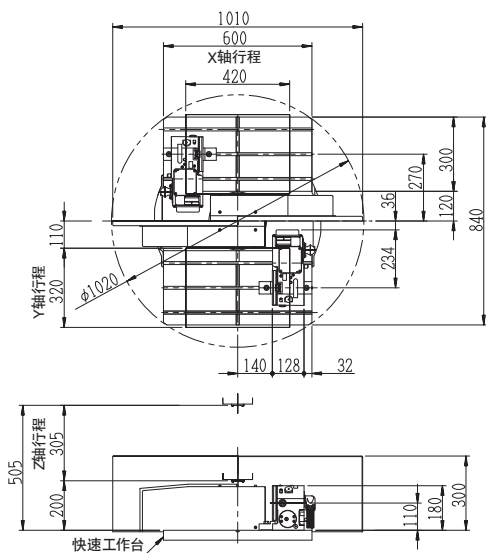
TC-32B QT, TC-32BN QT

DRA170-BQT36/39

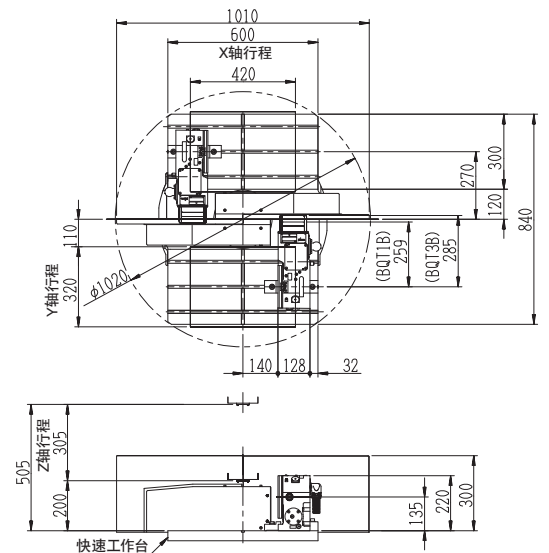


TC-R2B

JNC140L-BQT1B

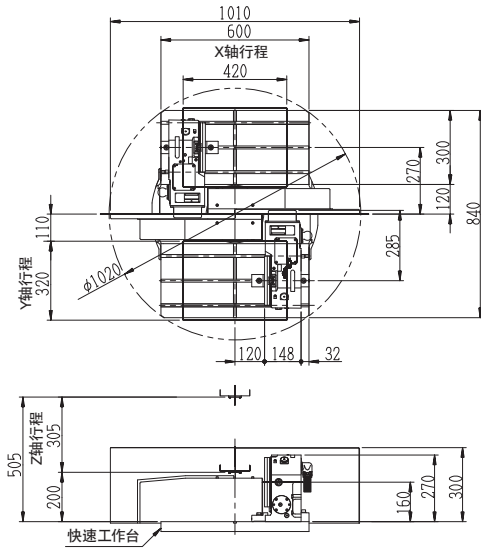


JNC170L-BQT1B/3B
JNCH170L-BQT3B

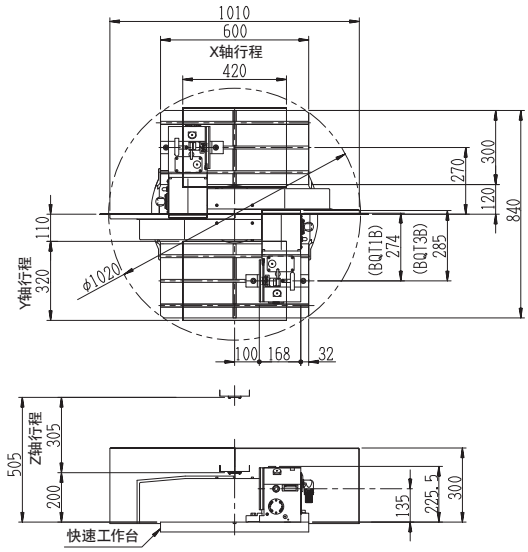


TC-R2B

JNC(H)200L-BQT3B

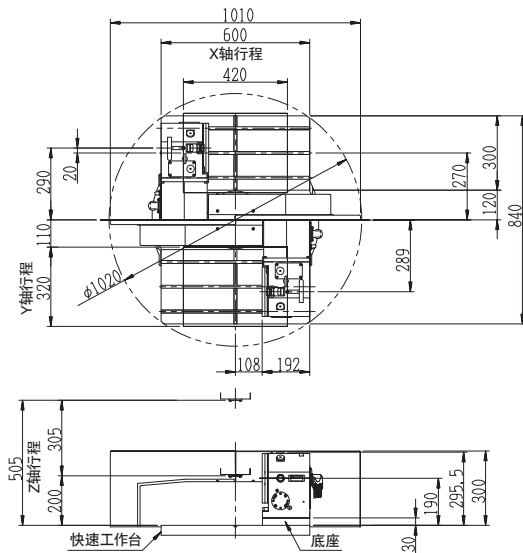


YNC(P)170L-BQT1B/3B



TC-R2B

YNC(P)200L-BQT3B



TNT130L-BQT1B

